

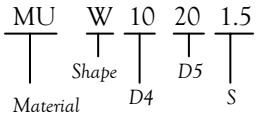
MU

SELF-LUBRICATED THRUST WASHERS

METRIC SIZES

Thrust Washers

Part Number Structure:

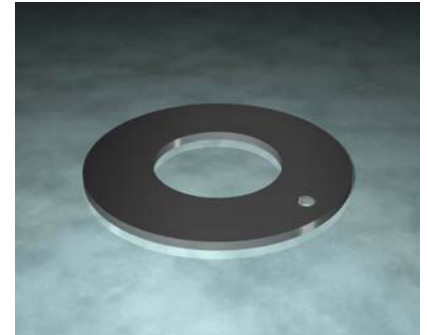
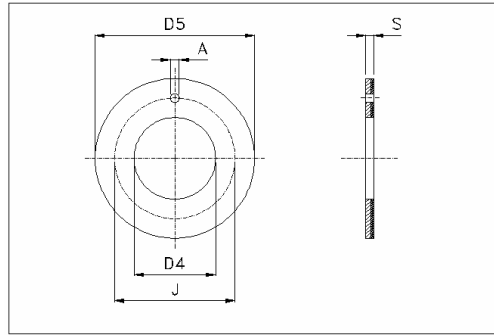


General Tolerances:

I.D. (D4) = -0/+0.25

O.D. (D5) = +0/-0.25

Dowel Hole (J) = ±0.12



Available from stock

Part Number	D4	D5	S	J	A
MU W 10201.5	10	20	1.450 ÷ 1.500	-	-
MU W 12241.5	12	24	1.450 ÷ 1.500	18	1.620 ÷ 1.870
MU W 14261.5	14	26	1.450 ÷ 1.500	20	2.120 ÷ 2.370
MU W 16301.5	16	30	1.450 ÷ 1.500	22	2.120 ÷ 2.370
MU W 18321.5	18	32	1.450 ÷ 1.500	25	2.120 ÷ 2.370
MU W 20361.5	20	36	1.450 ÷ 1.500	28	3.120 ÷ 3.370
MU W 22381.5	22	38	1.450 ÷ 1.500	30	3.120 ÷ 3.370
MU W 24421.5	24	42	1.450 ÷ 1.500	33	3.120 ÷ 3.370
MU W 26441.5	26	44	1.450 ÷ 1.500	35	3.120 ÷ 3.370
MU W 28481.5	28	48	1.450 ÷ 1.500	38	4.120 ÷ 4.370
MU W 32541.5	32	54	1.450 ÷ 1.500	43	4.120 ÷ 4.370
MU W 38621.5	38	62	1.450 ÷ 1.500	50	4.120 ÷ 4.370
MU W 42661.5	42	66	1.450 ÷ 1.500	54	4.120 ÷ 4.370
MU W 48742.0	48	74	1.950 ÷ 2.000	61	4.120 ÷ 4.370
MU W 52782.0	52	78	1.950 ÷ 2.000	65	4.120 ÷ 4.370
MU W 62902.0	62	90	1.950 ÷ 2.000	76	4.120 ÷ 4.370